



SCAN FOR  
MORE INFO

# Unilec



INNOVATION

EASY TO INSTALL

WEATHERPROOF



Let's make it better together

## Electric insert keep for insert lock

UNIWING-compatible

This innovative electric keep pushes the daybolt outward and allows flexible positioning within the post.



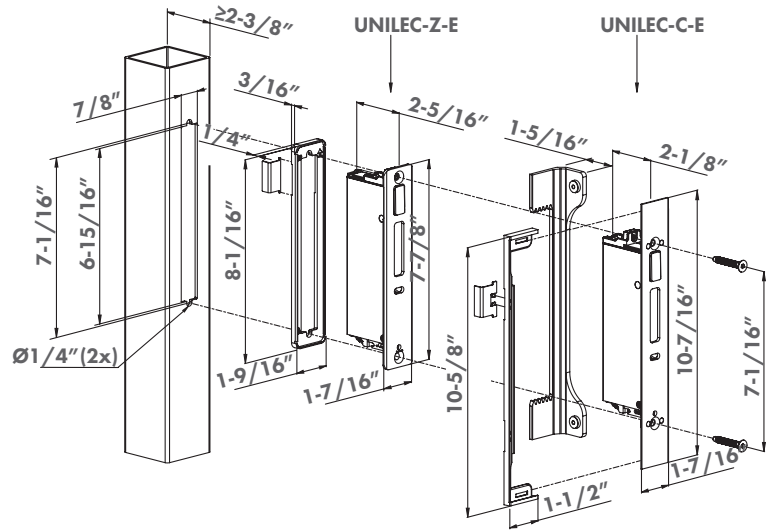
Find out more: [locinoxusa.com](http://locinoxusa.com) | [help@locinoxusa.com](mailto:help@locinoxusa.com)



Unilec C



Unilec Z



SCAN FOR  
MORE INFO

**LOCINOX**

**Unilec**

## Electric insert keep for insert locks

This innovative electric keep pushes the latch bolt outward and allows flexible positioning within the post. UNILEC fits perfectly into the UNIWING profile preparation and is easily mounted with the CLICK-IT system. The sleek finish minimizes the gap between gate and post. The keep operates on 24V DC and is available with or without a stop plate. Extra security is ensured by the Fail-Close functionality.

## What makes it special?

- Pushes day bolt outward
- Integrated Click-It installation system
- UNIWING-compatible
- Easy left or right changing
- Adjustable stop plate for 1-9/16" till 1-15/16" gate frames
- Compatible with FORTY-, FIFTY-, SIXTY- & EIGHTYLOCK



## Features

Configurations	UNILEC-C: with stop plate UNILEC-Z: without stop plate
Profile size	UNILEC-C: gate profiles 1-9/16" and 1-15/16" UNILEC-Z: any gate profile
Post Profile	Minimum 2-3/8"
Built-in Depth	2-2/16"
Profile preparation	Locinox Uniwing cut-out
Material	Stop plate: aluminum Housing: anodized aluminum Critical components: stainless steel
Color	RAL9005, uncolored
Fixation	Locinox Click-It technology
Compatibility	Locinox Uniwing product portfolio
Power supply	24V DC
Power consumption	55W peak load (400 ms) 3W reduced load (trigger time 400 ms) 0W retracted state (closed)
Weather resistance	IP56
Warranty	2 years