



SCAN FOR
MORE INFO



MAMMOTH180



Let's make it better together

Heavy duty 180° hydraulic
gate closer and hinge

500 K CYCLES

QUICK-FIX

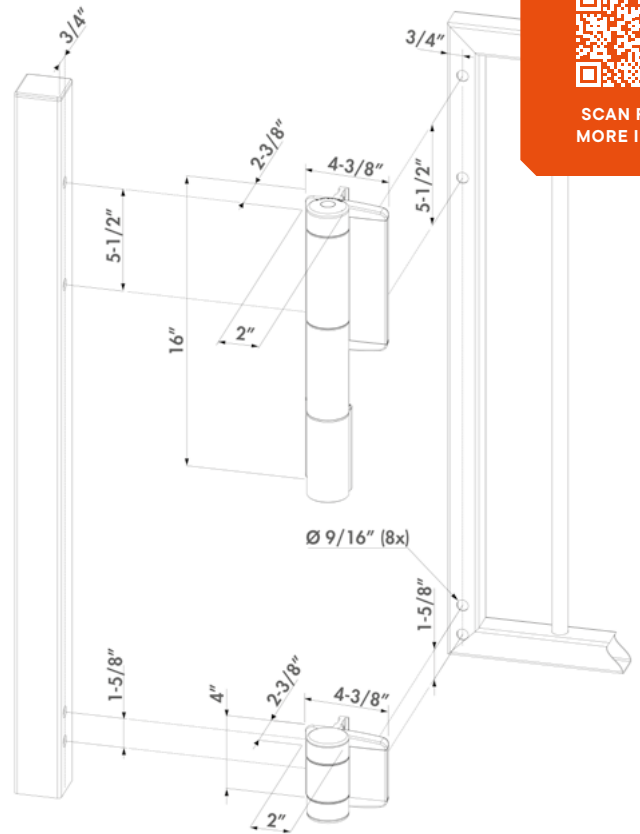
PREMIUM QUALITY



Find out more: locinoxusa.com | help@locinoxusa.com



+ Dino



SCAN FOR
MORE INFO

LOCINOX

MAMMOTH180

Heavy duty 180° hydraulic gate closer and hinge

Heavy duty 180° hydraulic gate closer and hinge for gates up to 330 lbs. It is equipped with a double bearing for exceptional functionality. The Active Thermal System guarantees a constant closing speed, unaffected by weather conditions. The Dino hinge is included.



Specifications

- 180° self-closing double bearing hinge with adjustable closing speed and final snap
- Robust yet stylish design with high quality components
- Weatherproof aluminum housing designed for exterior use
- Consistent closing speed thanks to patented hydraulic damping
- ADA compliant (< 5 lbs; max 16 Nm) from gate widths of 3ft. or more
- Vandal and tamper proof
- For left and right handed gates
- Fast and easy installation with Quick-Fix
- Installation gap 9/16 min up to 1-3/8" max (ornamental); 9/16" adjustability in height