



SCAN FOR  
MORE INFO

# LION



Let's make it better together

Compact 90° or 180°  
retrofit gate closer

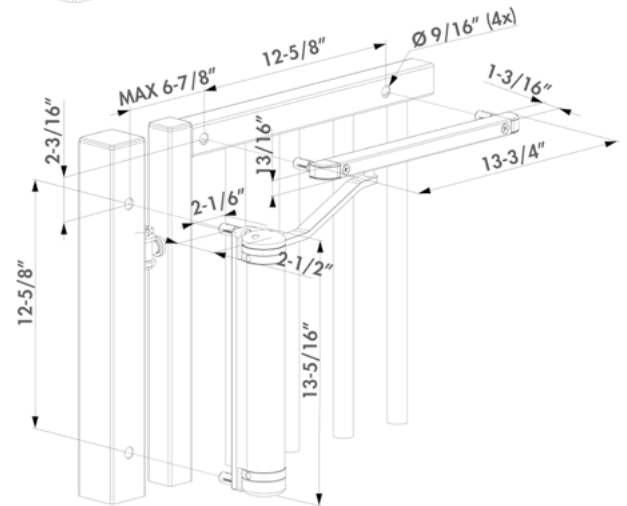
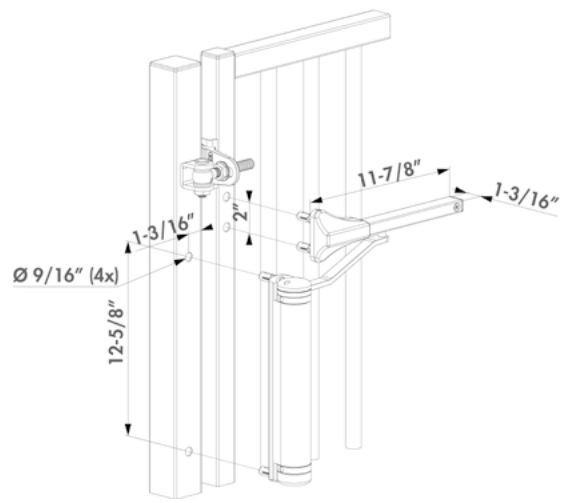
500 K CYCLES

QUICK-FIX

PREMIUM QUALITY



Find out more: [locinoxusa.com](http://locinoxusa.com) | [help@locinoxusa.com](mailto:help@locinoxusa.com)



SCAN FOR  
MORE INFO

**LOCINOX**

**LION**

## Compact 90° or 180° retrofit gate closer

The attractive and compact Lion gate closer is unique in its kind. This hydraulic all-rounder is fit for every possible gate situation. Moreover, both 90° and 180° railsets are included in the package, allowing for more flexibility on site. The anodized aluminum housing combines a handsome look with a durable and spotless functioning for many years. Choose the Lion-VTC Drill for an even faster installation.



## Specifications

- 180° retrofit gate closer with adjustable closing speed and final action
- Railset included for 90° and 180° situations (depending on hinges used)
- Weatherproof, scratch resistant and corrosion free anodized aluminum housing
- Compact design with high quality components
- Consistent closing speed thanks to patented hydraulic damping
- For left and right handed gates
- Integrated pretension for extremely smooth installation
- Fast and easy attachment to square frames with Quick-Fix bolts
- ADA compliant (< 5 lbs; max 16 Nm) from gate widths of 3ft. or more